

**Name and Surname** : .....

**Grade/Class** : 10/.....

**Mathematics Teacher** : .....

**MATHEMATICS**  
November Paper 2  
**ANSWER BOOK**

7 November 2022

100

**QUESTION 1**

1.1.

Result %	Number of learners
50 – 60	23
60 – 70	40
70 – 80	55
80 – 90	34
90 – 100	19




1.2.

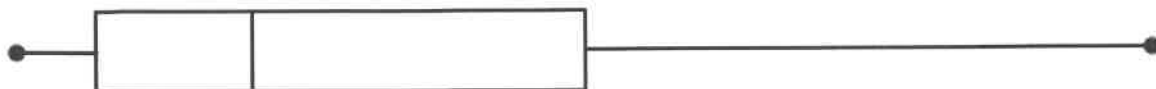
6

7

9

13

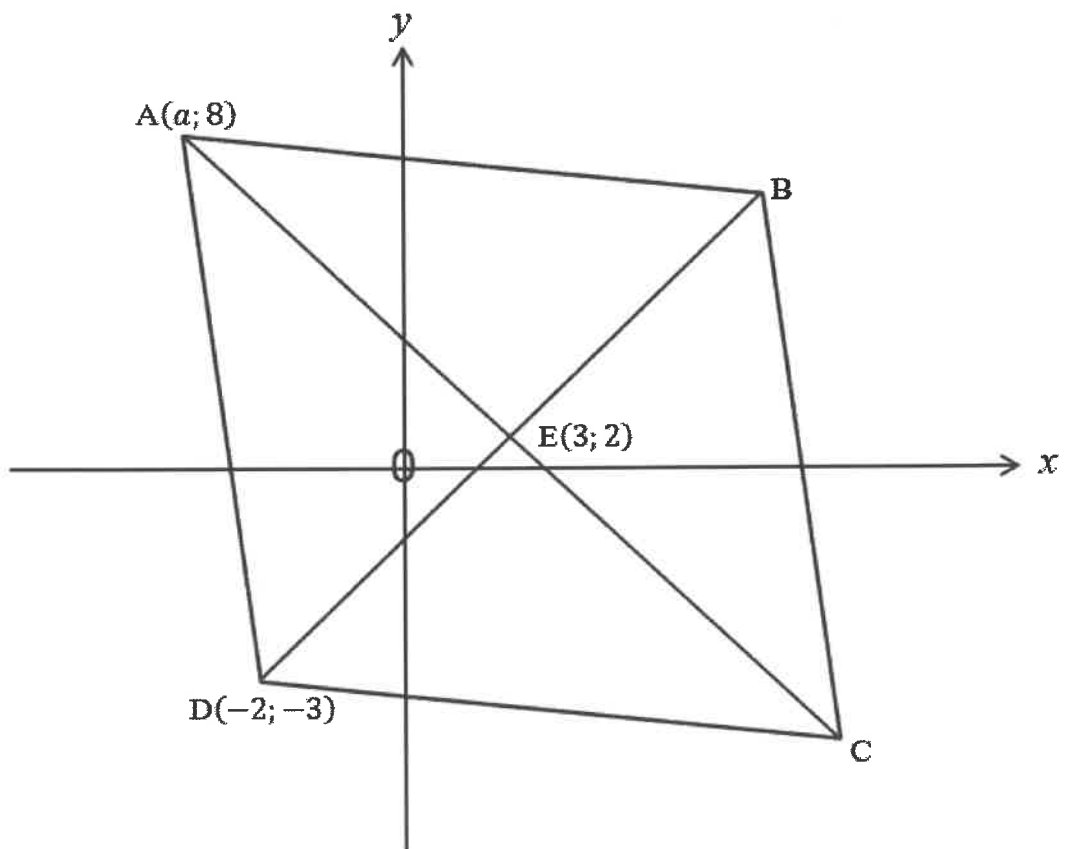
20




1.3.


**QUESTION 2**

2.



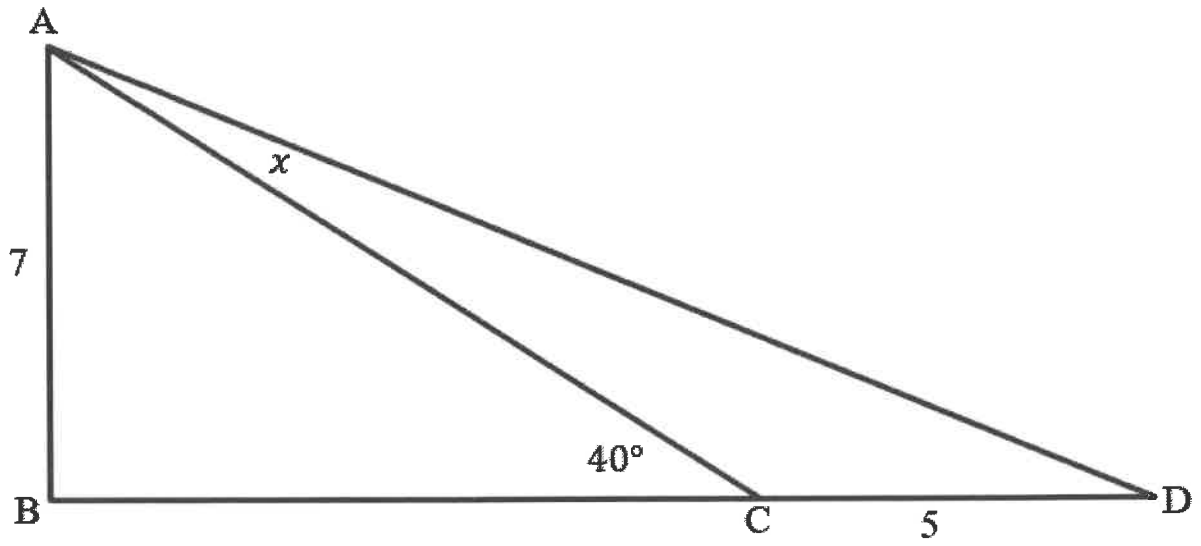








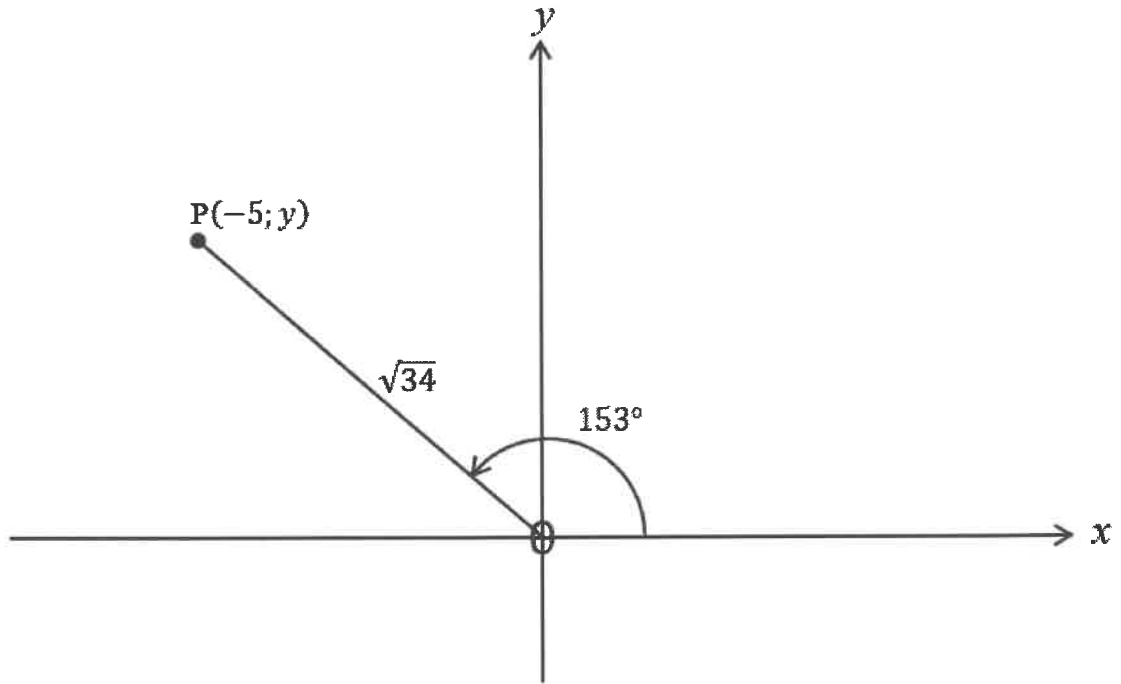

3.4.



3.4.1.		

## QUESTION 4

4.1.

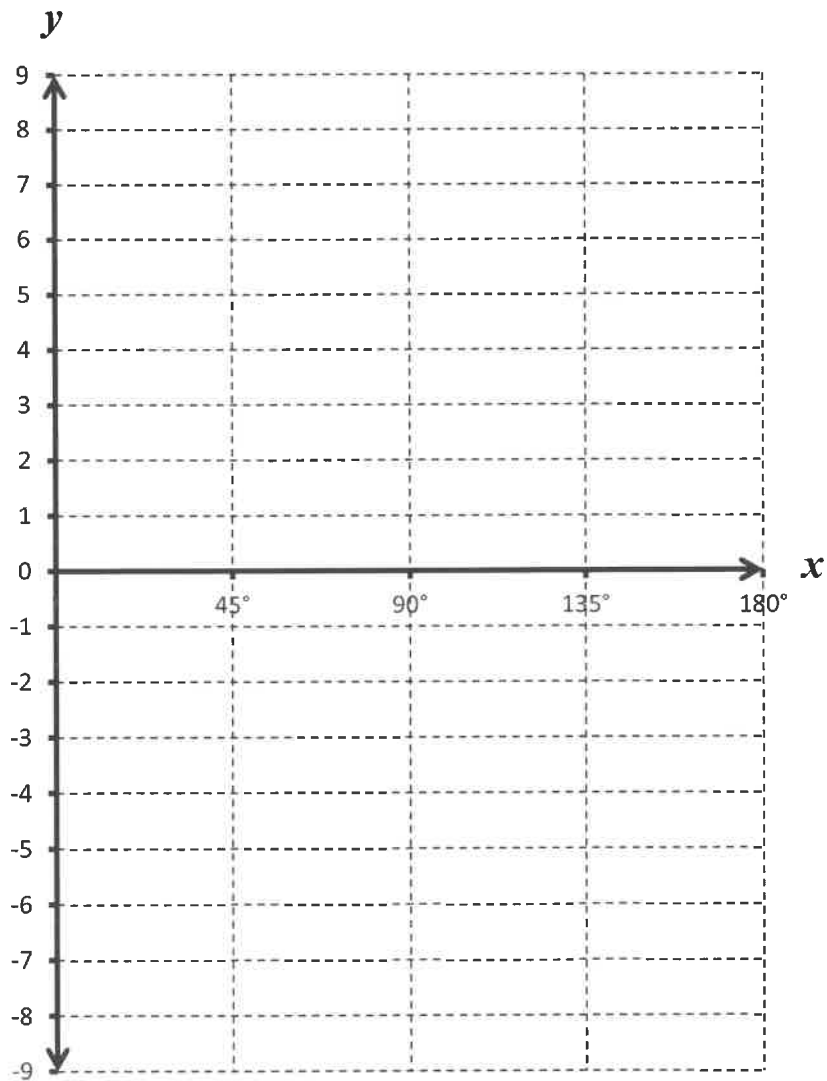





### QUESTION 5

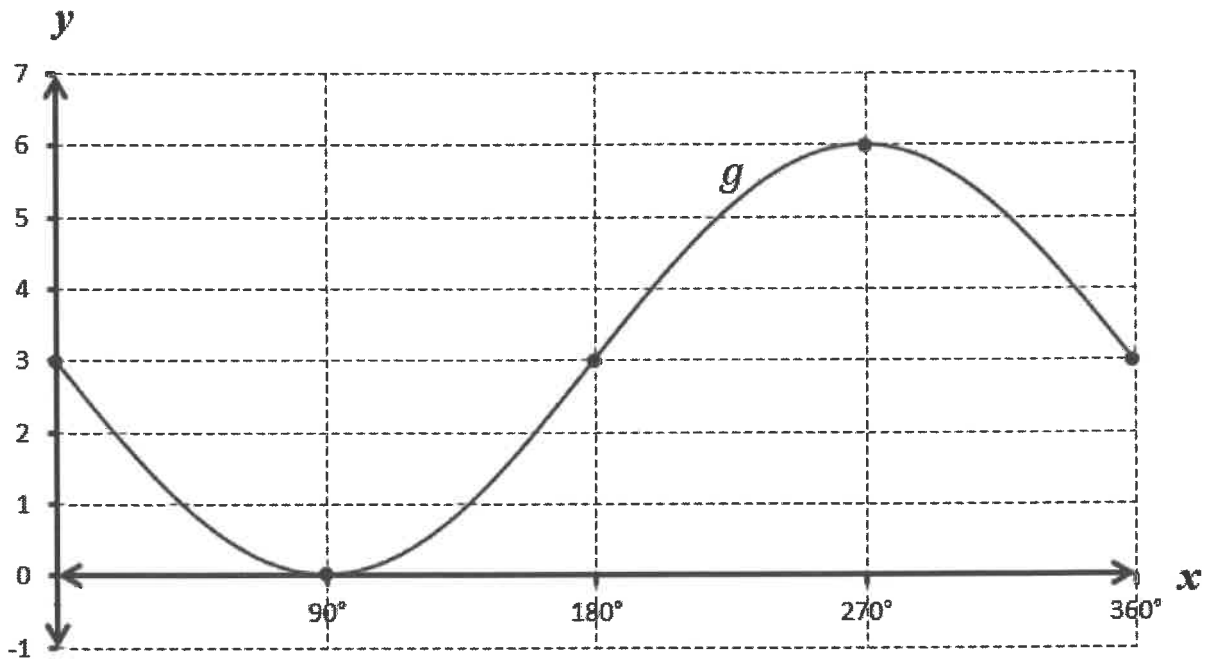
5.1.1.	$f(x) = \tan x - 2$	

5.1.2.  $f(x) = \tan x - 2$



5.2.

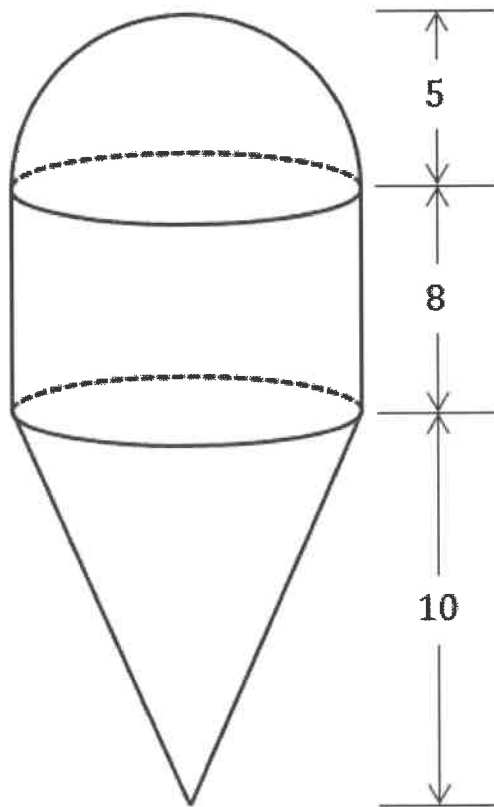
$$g(x) = a \sin x + q$$






# QUESTION 6

6.1.



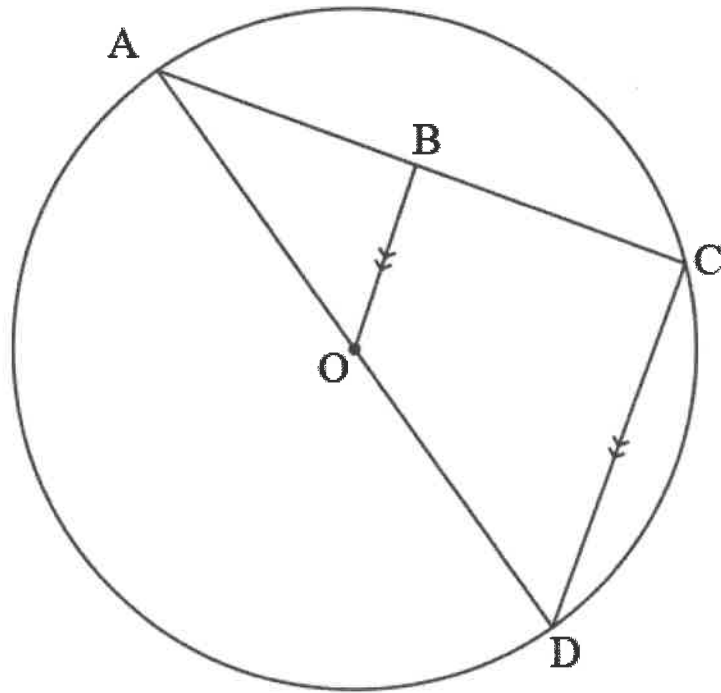
6.1.1.		
6.1.2.		



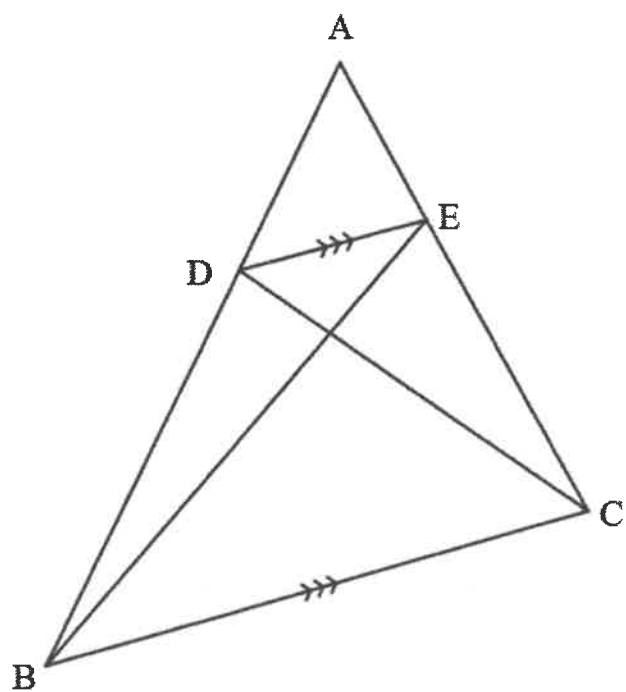


QUESTION 7

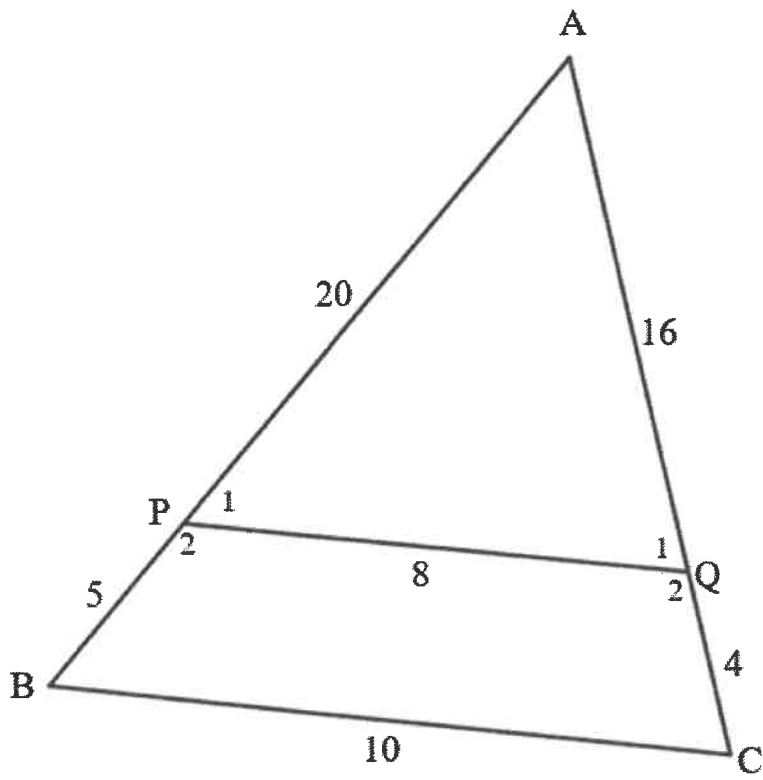
7.1.




7.2.

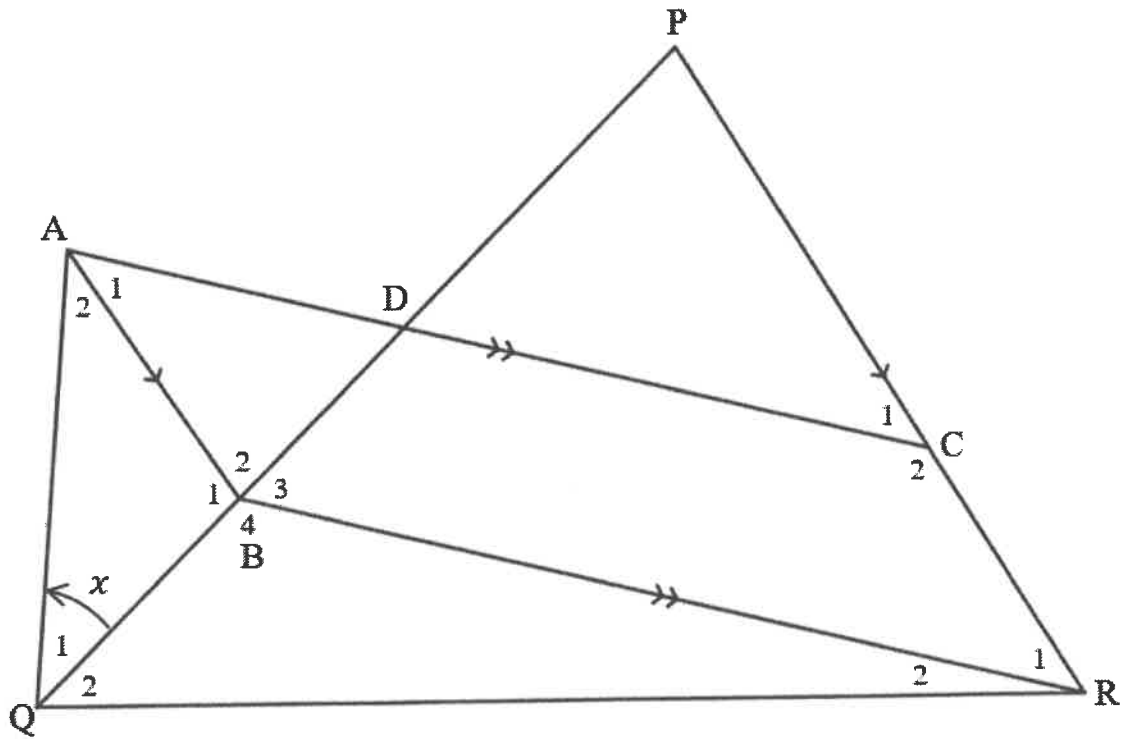



7.3.



7.3.1.		

7.4.



7.4.1.		
